

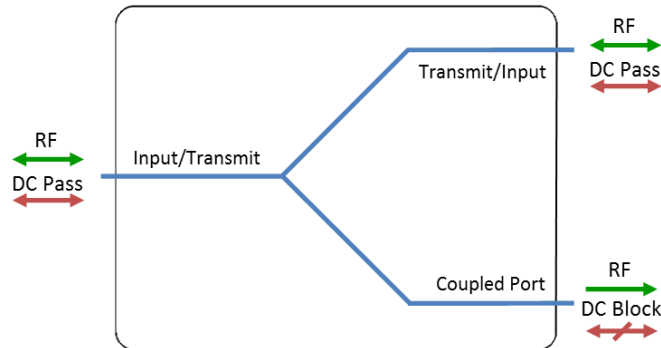


Model Number:  
**CPLxxKXP-4347**

RF Components

# Wideband Directional Coupler

## 6-18 GHz



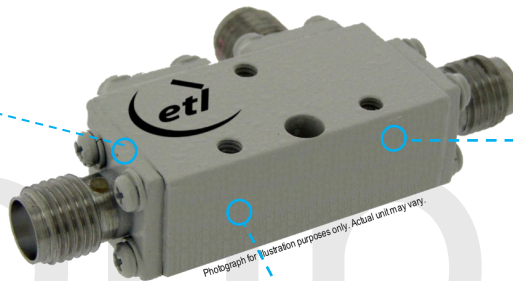
- Wide band 6-18 GHz
- 6, 10, 20, 30 or 40 dB coupling

Available with RF connector options:

- 50 Ω SMA
- 50 Ω N-type



**6-18 GHz**  
Operating frequency range. C, X & Ku band ready.



**Compact**  
Housed in rugged compact enclosure



**Flexible Mounting**  
Through hole mounting options

RF Parameters								
CPLxxKXP-4347		S5S5S5 / N5N5N5						
Frequency Range		6-18 GHz						
RF Connectors		SMA 50 ohm					N-type 50 ohm	
Coupling Factor (dB)	Max.	6 ± 1.0	10 ± 1.0	20 ± 1.0	30 ± 1.0	40 ± 1.2	10 ± 1.0	20 ± 1.0
Insertion loss* (dB)	Max.	2.4	0.6	0.6	0.6	0.8	0.5	0.7
Thru Line Flatness (dB)	Typ.	±1.0	±1.0	±1.0	±1.0	±1.0	±1.0	±1.0
VSWR Thru Line	Max.	1.60	1.5	1.5	1.5	1.5	1.5	1.5
VSWR Coupled Port	Max.	1.60	1.5	1.5	1.5	1.5	1.5	1.5
Directivity** (dB)		12	14	14	14	10	12	14

\* Excluding coupling loss  
\*\*Directivity across frequency band will vary.

### Broadcast



### Marine Oil & Gas



### SNG & VSAT



### Satellite Teleport





RF Components

Model Number:  
**CPLxxKXP-4347**

Wideband 6-18 GHz 6 / 10 / 20 / 30 / 40 dB coupler

### Technical specifications and operating parameters

Environmental		
Operating Temperature		-45°C to +85°C
Storage Temperature		-45°C to +85°C
Location		Indoor use Only
Humidity	Max	95% non-condensing
Altitude	Max	10,000 feet

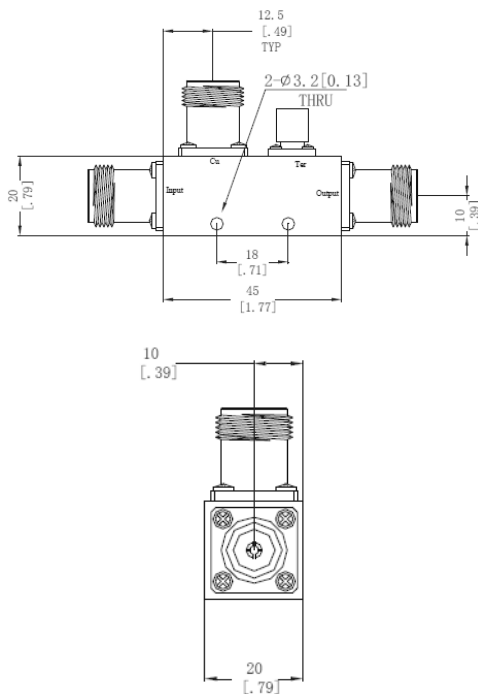
Max Operating Parameters	
Power Handling:	50 Watt (Forward Power)

**!** Operation beyond these limits may cause instantaneous and permanent damage.

### Physical Dimensions (mm)

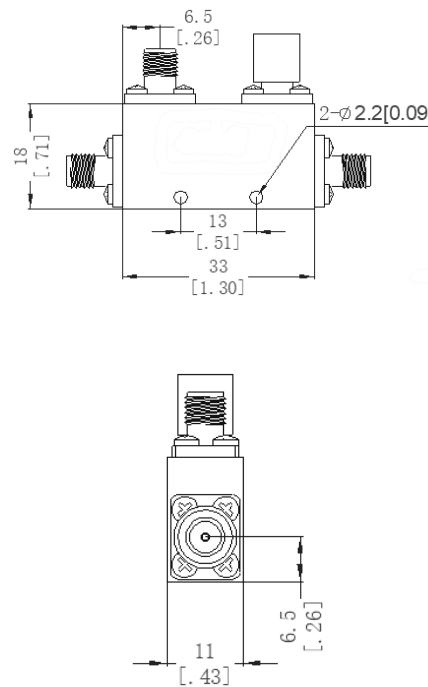
#### 50 Ω N-type

##### 10 / 20 dB

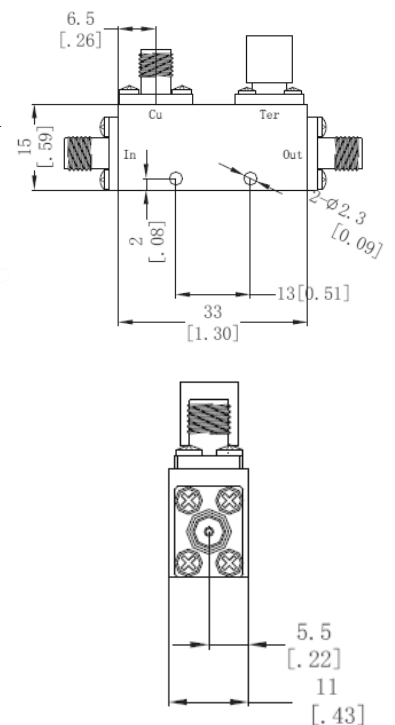


#### 50 Ω SMA

##### 40 dB



##### 6 / 10 / 20 / 30 dB



Note: The specification is subject to regular reviews and will be updated from time to time as part of our continuing product development and improved specification accuracy.

ETL SYSTEMS LIMITED  
Coldwell Radio Station  
Madley  
Hereford  
England HR2 9NE

TELEPHONE  
+44 (0)1981 259020  
  
EMAIL  
info@etlsystems.com

FACSIMILE  
+44 (0)1981 259021  
  
WEB  
www.etlsystems.com

